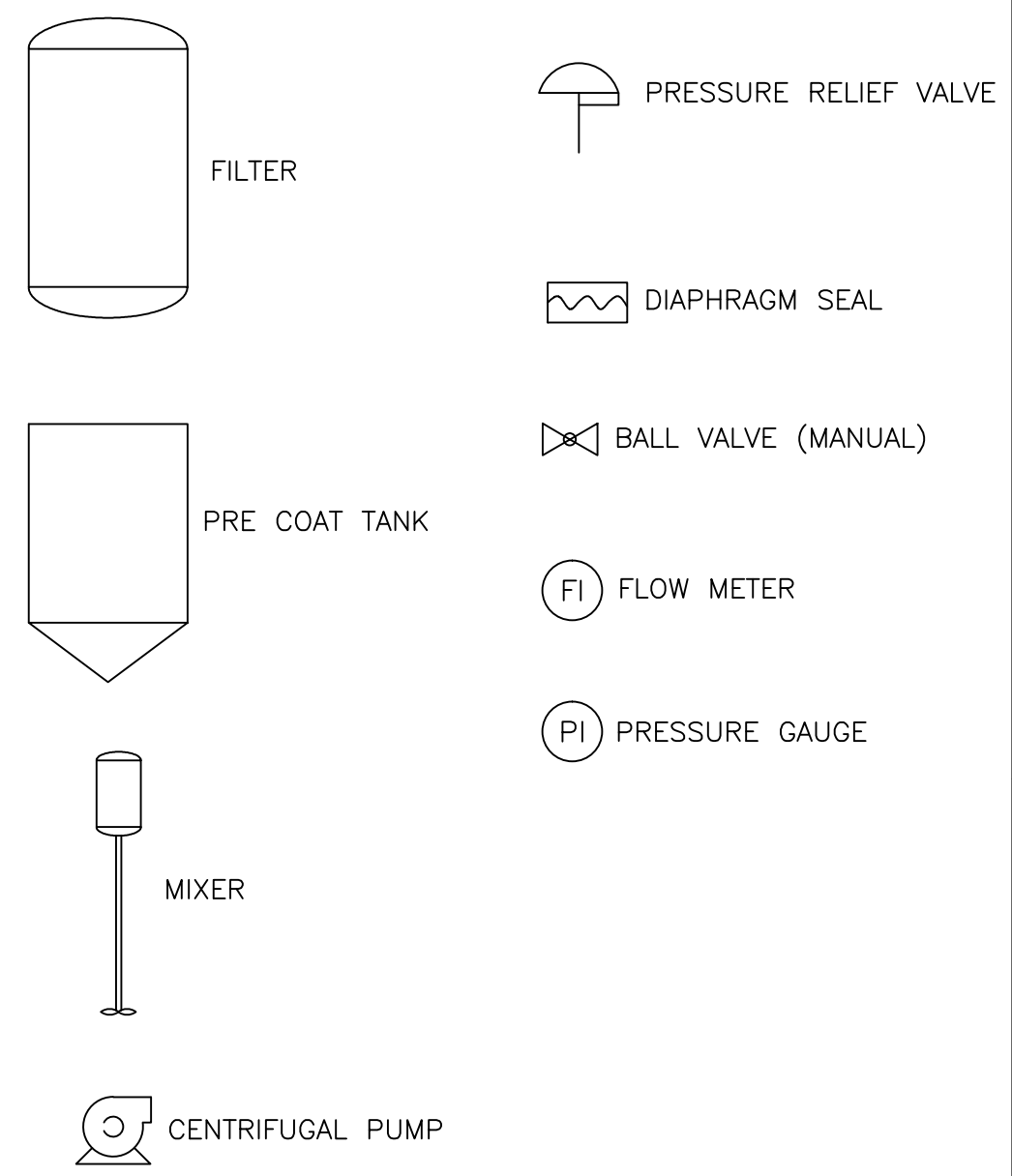


SYMBOLS LEGEND



<p>CERTIFIED FOR PRODUCTION</p> <p>BY: _____ DATE: _____</p> <p>LEEM FILTRATION, INC.</p> <p><small>THIS DRAWING CONTAINS INFORMATION PROPRIETARY TO LEEM FILTRATION INCORPORATED. IT IS SUBMITTED IN CONFIDENCE AND IS TO BE USED SOLELY FOR THE PURPOSE FOR WHICH IT IS FURNISHED AND IS NOT TO BE REPRODUCED, TRANSMITTED, DISCLOSED, OR USED OTHERWISE IN WHOLE OR IN PART WITHOUT THE WRITTEN AUTHORIZATION OF LEEM FILTRATION INCORPORATED.</small></p>	<p>TOLERANCES UNLESS OTHERWISE SPECIFIED</p> <p>MACHINED DIMENSIONS:</p> <p>X.X ±.020 FINISH: 125/</p> <p>X.XX ±.010 ANGLES: ±2</p> <p>X.XXX ±.005 RADII: ±.03</p> <p>FRACTIONAL DIMENSIONS:</p> <p>1/X ±1/16</p> <p>REMOVE ALL BURRS AND BREAK ALL SHARP EDGES: .016 x 45°</p>		<p>LEEM Filtration</p> <p>25 Arrow Road • Ramsey, NJ 07446</p> <p>www.leemfiltration.com</p>	
	<p>REV</p> <p>DESCRIPTION</p> <p>DATE</p>		<p>SCALE: NTS</p> <p>DATE: 3/11/13</p> <p>Sheet: 1 OF 1</p>	
<p>FLOW SCHEMATIC FOR LEEM PORTABLE PRESSURE LEAF FILTER</p>			<p>SIZE: B</p>	<p>DWN BY: WGM</p> <p>CHK BY:</p>
			<p>DWG NO. B-6569</p>	<p>REV R0</p>